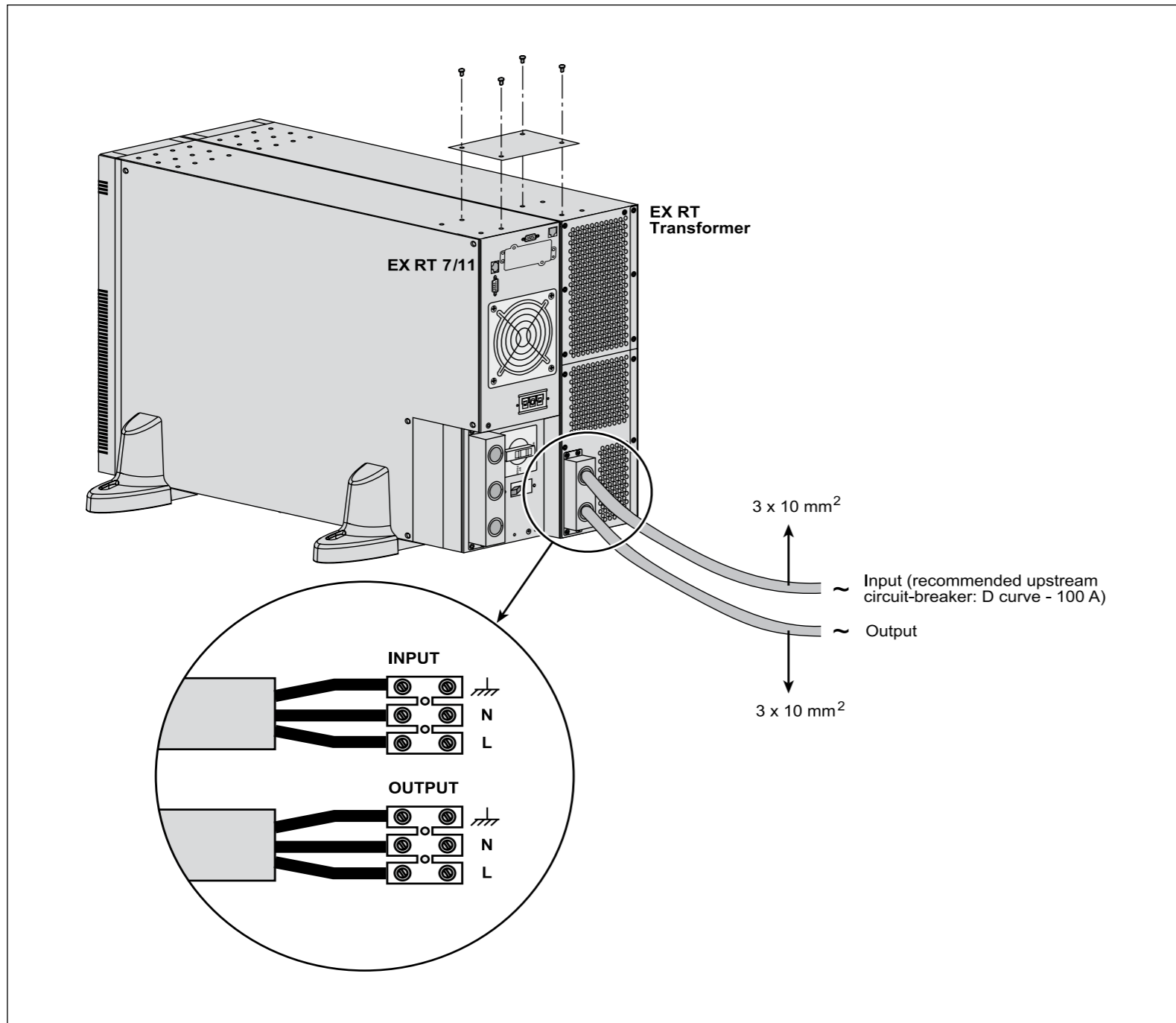
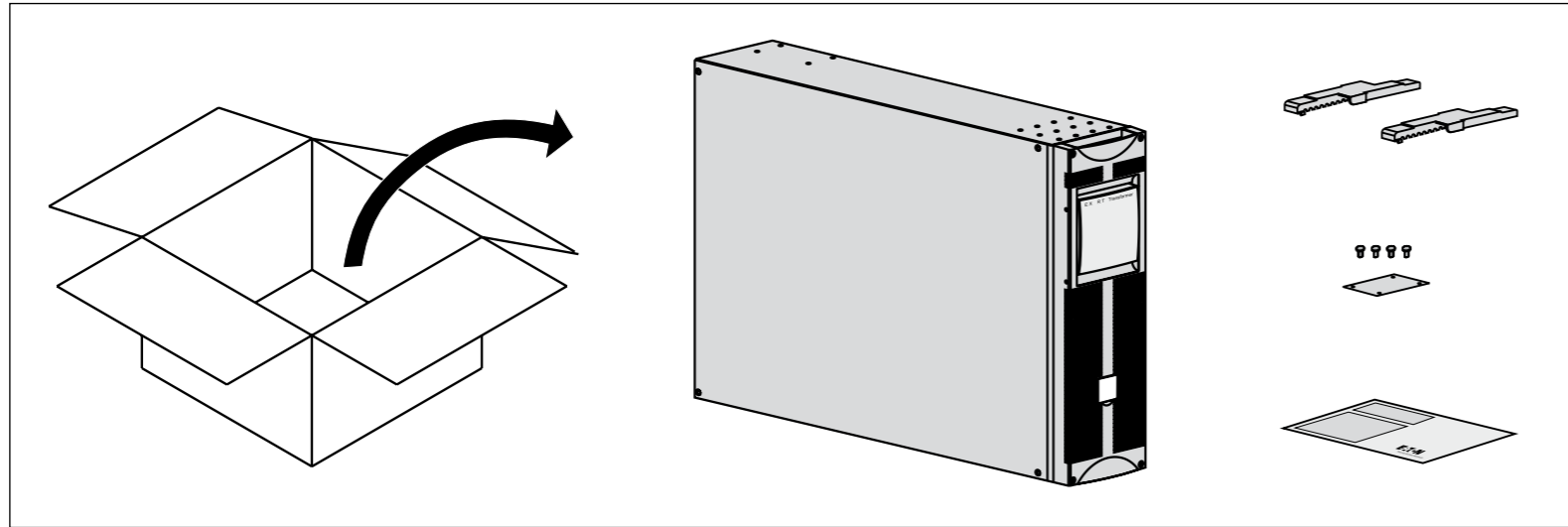


# EX RT Transformer Installation



Nominal power	11 kVA
Nominal current	63 A
Input voltage	160-280 Volts AC - single phase
Output voltage	160-280 Volts AC - single phase
Voltage drop	7 Volts at nominal load
Frequency	50/60 Hz (+/- 10 %)
Isolation (EN 61558-1-2-4)	3.75 kV / 5 M ohms
Operating temperature	From 0° to +40°C
Max. operating rel. humidity	95 %
Derating / altitude	Pn -10 % > 1000 m
Dimensions HxWxD (tower)	444 x 131 x 635 mm
Dimensions HxWxD (rack 3U)	131 x 444 x 635 mm
Weight	86.5 kg

