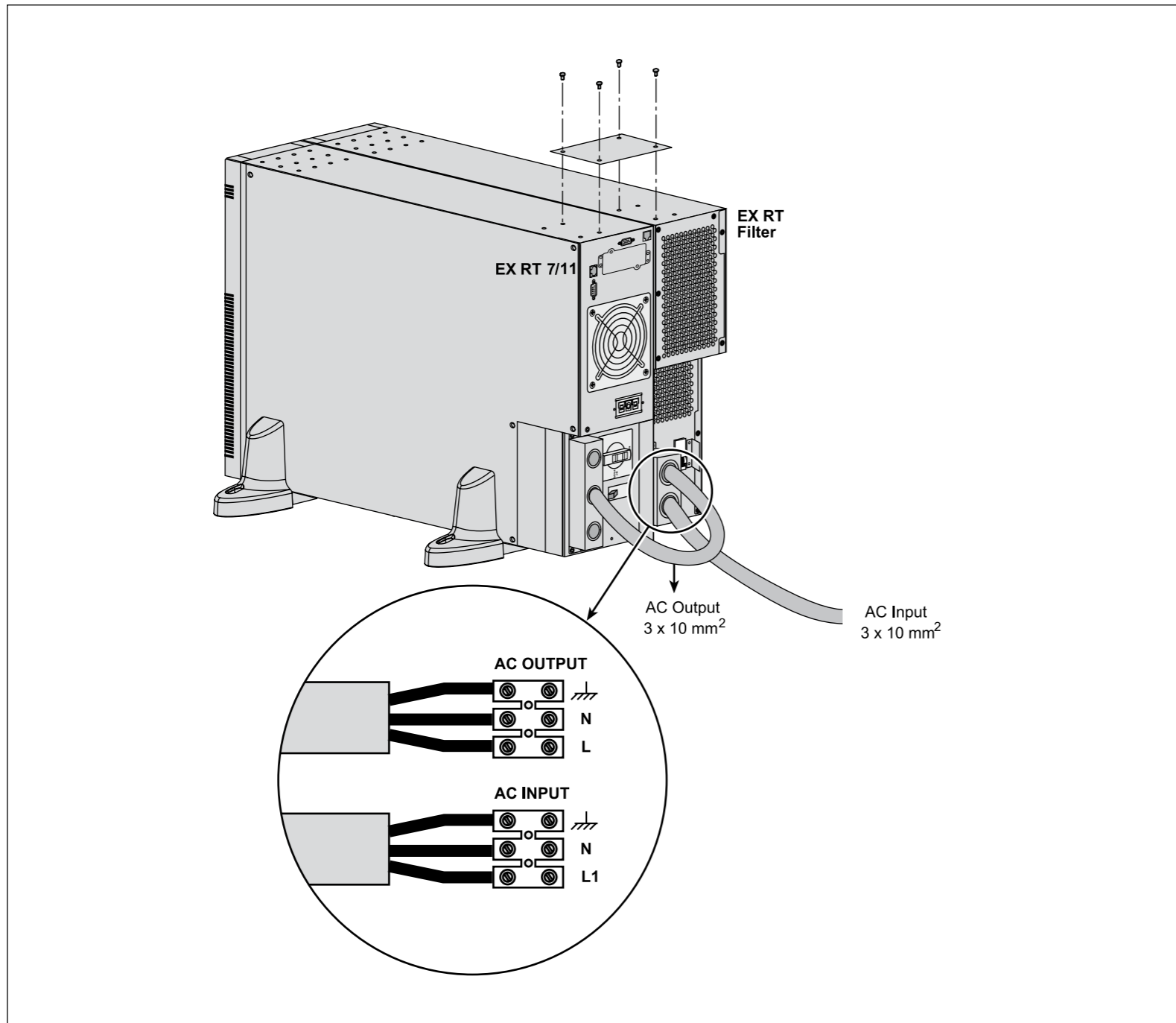
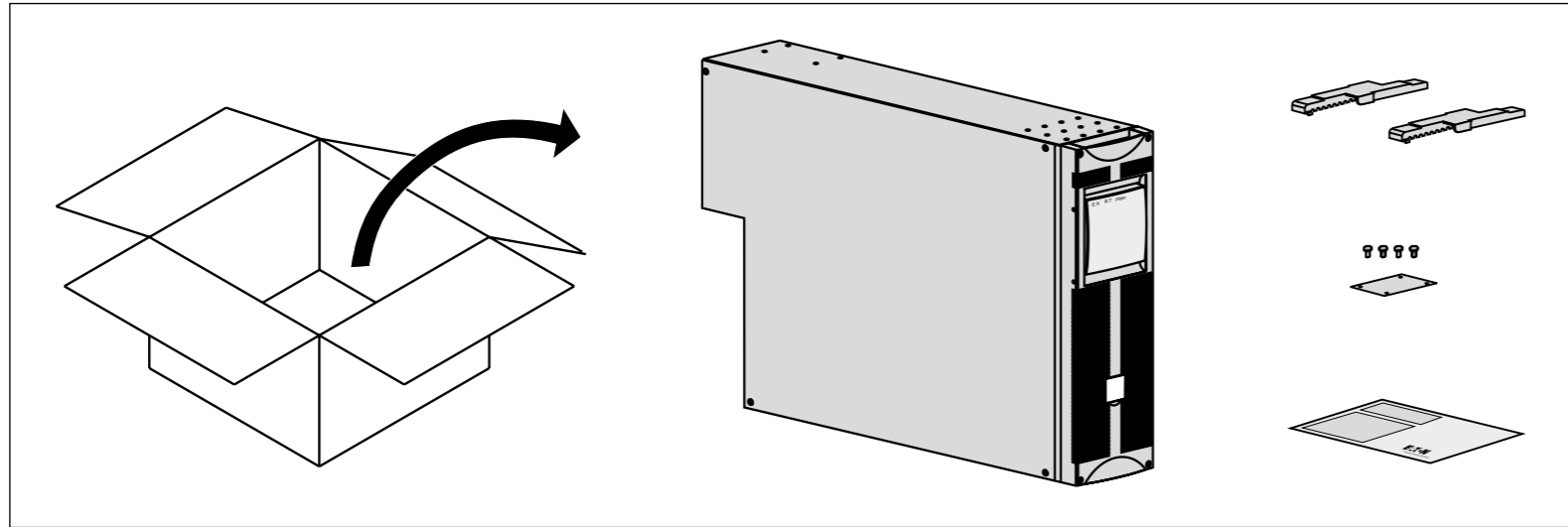


## EX RT Filter Installation



Nominal power	11 kVA
Nominal current	50 A
Input voltage	160-280 Volts AC - single phase
Output voltage	160-280 Volts AC - single phase
Operating temperature	From 0° to +40°C
Max. operating rel. humidity	95 %
Derating / altitude	Pn -10 % > 1000 m
Dimensions HxWxD (tower)	444 x 131 x 635 mm
Dimensions HxWxD (rack 3U)	131 x 444 x 635 mm
Weight	14 kg

Power derating table with EX RT 11 kVA

Input voltage	Ambient temperature		
	0 - 25°C	25°C - 35°C	35°C - 45°C
220 - 280 Volts AC	100 %	100 %	100 %
200 - 220 Volts AC	100 %	95 %	90 %
180 - 200 Volts AC	90 %	85 %	80 %
160 - 180 Volts AC	80 %	75 %	70 %

